

# MAINTENANCE-FREE BATTERY VRLA AGM VPRO 150Ah 12V

**INDEKS: 6AKUAGM150**  
**EAN: 5903760240653**

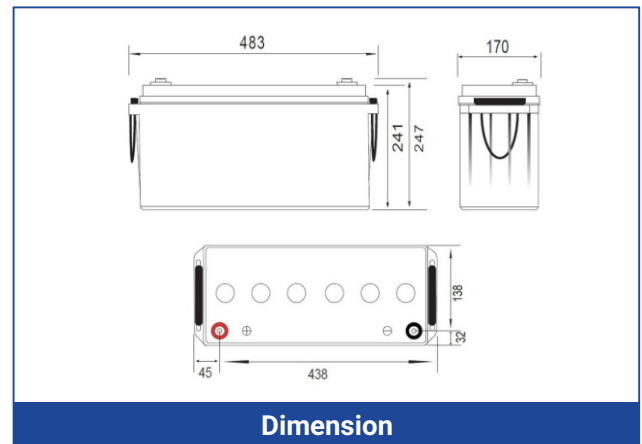
**VPRO batteries** by **VOLT Polska** are designed with **VRLA AGM (Absorbent Glass Mat)** technology, high performance plates and electrolyte to give extra power output for common power backup system. **The general features are:** heavy duty grid, non-spillable construction, mechanized assembly, high reliability and stability, sealed and maintenance-free, long life and low self-discharge design. **VPRO batteries** have 8-10 years design life at 25°C. They can be applied in emergency power system, communication equipment, alarm system, telecommunication systems, marine equipment, uninterruptible power supplies, medical equipment, fire and security system.

### Main technical data:

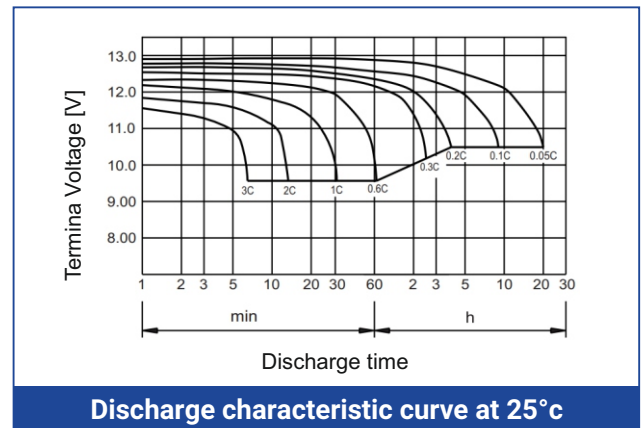
Nominal voltage		12 V
Rated capacity		150 Ah
Dimension	total height	247 mm
	height	241 mm
	width	170 mm
	length	483 mm
Approx Weight		41kg (90.39lbs) +/- 3%
Gross dimensions		49,2x18x26,7cm
Gross weight		41,5kg

### Other specification:

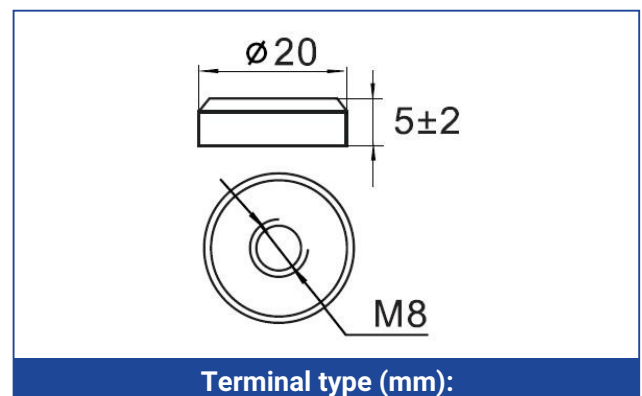
Capacity (at 25°C)	10h (10,8V)	150 Ah
	5h (10,5V)	120 Ah
	3h (10,8V)	107,1 Ah
	1h (9,6V)	90 Ah
Internal Resistance		~ 3,5 mΩ
Capacity affected by temperature	40°C	102%
	25°C	100%
	0°C	85%
	-15°C	65%
Self discharge (at 25°C)	3 months	91%
	6 months	82%
	12 months	64%
Working temperature		25°C +/- 3°C
Working temperature	Discharge	-15°C to 50°C
	Charge	-10°C to 50°C
	Storage	-20°C to 50°C
Float Use (25°C)	13,5 VDC	13,8 VDC
Cycle Use (25°C)	14,4 VDC	14,7 VDC
Max charging current		45 A
Max discharge current		1200 A (5 s)
Design life (25°C)		8-10 years



**Dimension**



**Discharge characteristic curve at 25°C**



**Terminal type (mm):**